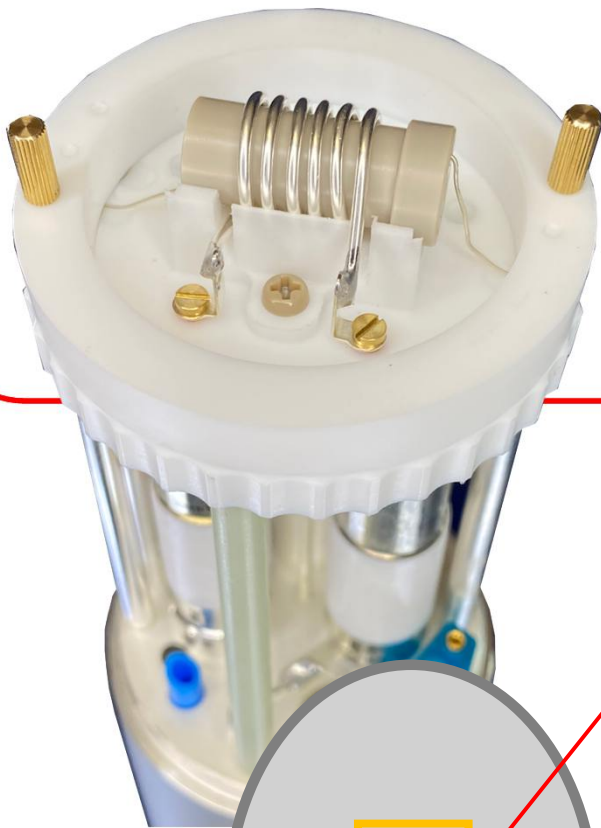


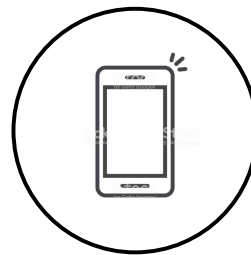


## NEW HARDWARE – FASTER WORKFLOW

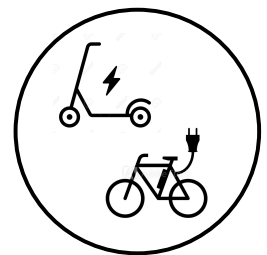
### IN SITU NMR ...



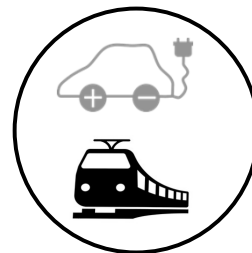
### ... BATTERY RESEARCH



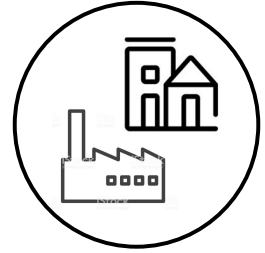
Mobile devices



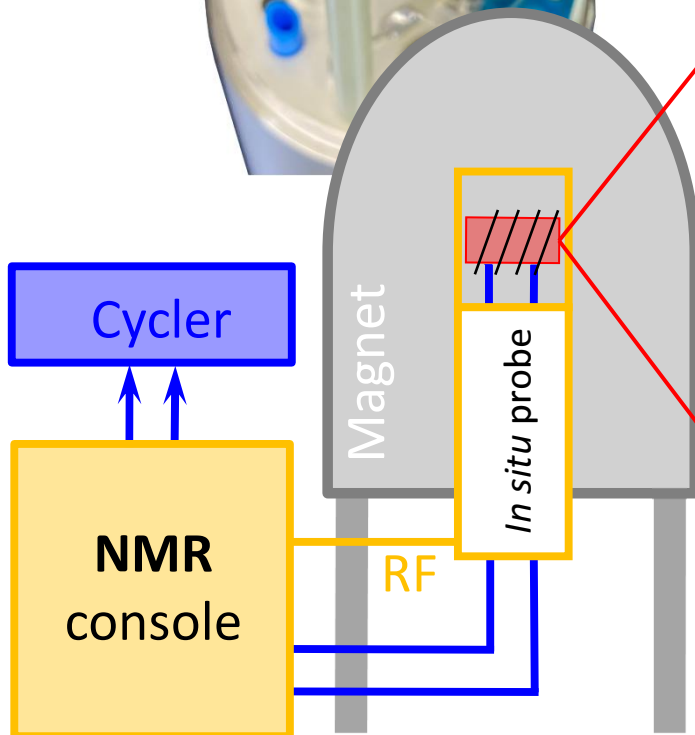
Mobility



Transportation



Grid storage





## IN SITU NMR PROBES

| Options                                                                                                        | STATIC—X | STATIC H—X   | STATIC F—X   |
|----------------------------------------------------------------------------------------------------------------|----------|--------------|--------------|
| <b>NMR/RF</b>                                                                                                  |          |              |              |
| Wide-bore                                                                                                      |          |              |              |
| Narrow/standard-bore                                                                                           |          |              |              |
| 200 – 500 MHz                                                                                                  |          |              |              |
| 600 – 700 MHz                                                                                                  |          |              |              |
| <sup>13</sup> C – <sup>31</sup> P + <sup>6</sup> Li                                                            |          |              |              |
| Automatic tune/match                                                                                           |          | + eATM ROBOT | + eATM ROBOT |
| All NMR systems                                                                                                |          |              |              |
| <b>Electrochemistry/battery</b>                                                                                |          |              |              |
| Three e-chem ports                                                                                             |          |              |              |
| Plastic cell capsules                                                                                          |          |              |              |
| Plastic bag cells                                                                                              |          |              |              |
| Alternative cells                                                                                              |          |              |              |
| Flow option                                                                                                    |          |              |              |
| Suitable for all cyclers                                                                                       |          |              |              |
| <p><b>Watch this space for your customised solution.</b><br/> <b>Please do not hesitate to contact us.</b></p> |          |              |              |