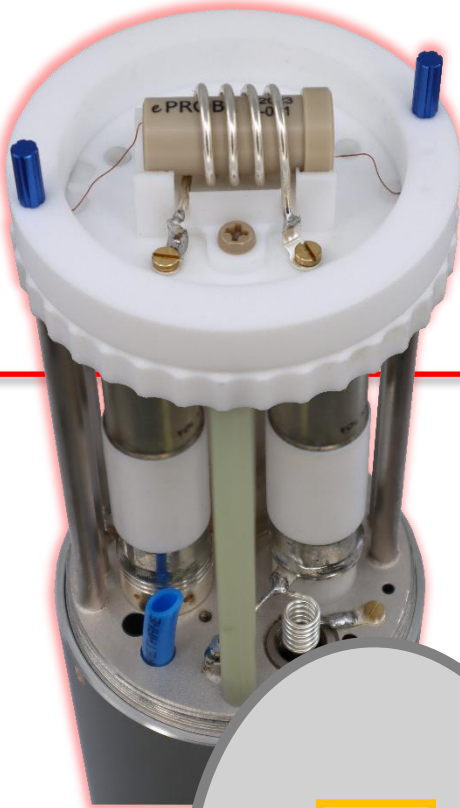
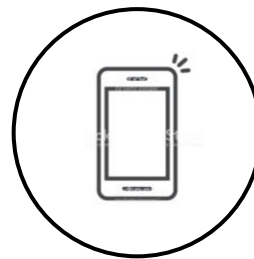


NEW HARDWARE – FASTER WORKFLOW

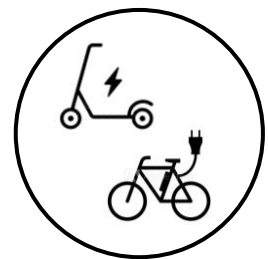
IN SITU NMR ...



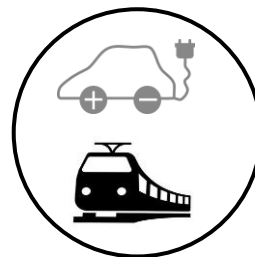
... BATTERY RESEARCH



Mobile devices



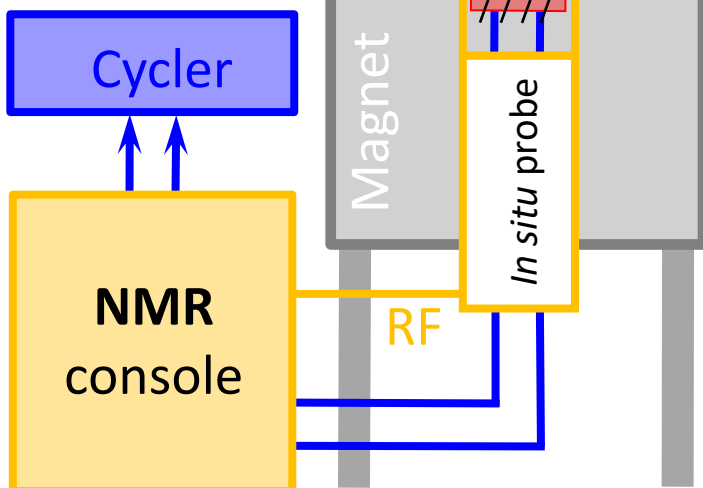
Mobility



Transportation



Grid storage



IN SITU NMR PROBES and ACCESSORIES

Options	STATIC—X	STATIC H—X	STATIC F—X
NMR/RF			
Wide-bore			
Narrow/standard-bore			
200 – 500 MHz			
600 – 700 MHz			
$^{13}\text{C} - ^{31}\text{P} + ^6\text{Li}$			
Automatic tune/match		+ eATM ROBOT	+ eATM ROBOT
All NMR systems			
Electrochemistry options			
Three e-chem ports			
Flow option			
Impedance spectroscopy (EIS)			
Suitable for all cyclers			
Available cell types			
Plastic cell capsules (2 or 3 electrodes)			
Solid state cell			
Plastic pouch cells			
Coin cells			
<p>Watch this space for your customised solution. Please do not hesitate to contact us.</p>			